

★ NATV10-PP

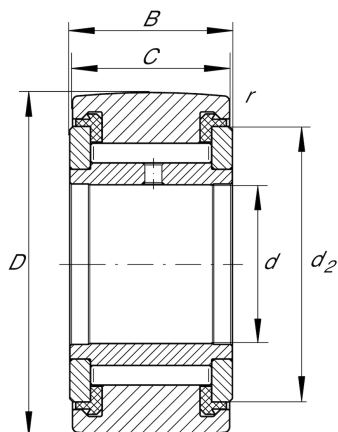
Yoke type track roller

Schaeffler ID:
0055910900000

★ Preferred product

Yoke type track rollers NATV..-PP, full complement needle roller set, with axial guidance, axial plain washers on both sides

Technical information



Main Dimensions & Performance Data

d	10 mm	Bore diameter
D	30 mm	Outside diameter
B	15 mm	Width, inner ring
$C_{r w}$	9.400 N	Basic dynamic load rating, radial
$C_{0r w}$	15.100 N	Basic static load rating, radial
$C_{ur w}$	2.080 N	Fatigue load limit, radial
n_{DG}	2.100 1/min	Speed on permanent grease lubrication
$F_{0r per}$	15.100 N	Permissible static load, radial
$F_{r per}$	14.800 N	Permissible dynamic load outer ring, radial
	61,597 g	Weight

Dimensions

C	14 mm	Width, outer ring
d_2	23 mm	Outside diameter of thrust washer
r_{min}	0,6 mm	Minimum chamfer dimension