

★ NATR17-PP

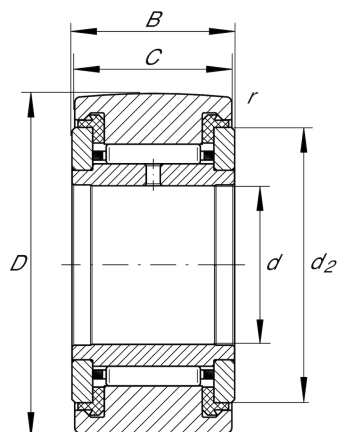
Yoke type track roller

Schaeffler ID:
0055915200000

★ Preferred product

Yoke type track rollers NATR...-PP, with axial guidance, axial plain washers on both sides

Technical information



Main Dimensions & Performance Data

d	17 mm	Bore diameter
D	40 mm	Outside diameter
B	21 mm	Width, inner ring
$C_{r w}$	10.900 N	Basic dynamic load rating, radial
$C_{0r w}$	16.000 N	Basic static load rating, radial
$C_{ur w}$	2.130 N	Fatigue load limit, radial
n_{DG}	2.900 1/min	Speed on permanent grease lubrication
$F_{0r per}$	16.000 N	Permissible static load, radial
$F_{r per}$	16.000 N	Permissible dynamic load outer ring, radial
	0,137 kg	Weight

Dimensions

C	20 mm	Width, outer ring
d_2	31,5 mm	Outside diameter of thrust washer
r_{min}	1 mm	Minimum chamfer dimension