

★ NATV5-PP

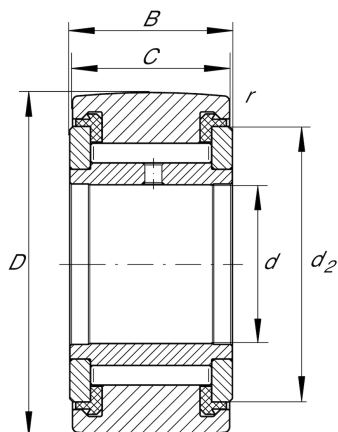
Yoke type track roller

Schaeffler ID:
0057069980000

★ Preferred product

Yoke type track rollers NATV...-PP, full complement needle roller set, with axial guidance, axial plain washers on both sides

Technical information



Main Dimensions & Performance Data

d	5 mm	Bore diameter
D	16 mm	Outside diameter
B	12 mm	Width, inner ring
$C_{r w}$	4.900 N	Basic dynamic load rating, radial
$C_{0r w}$	6.700 N	Basic static load rating, radial
$C_{ur w}$	970 N	Fatigue load limit, radial
n_{DG}	3.800 1/min	Speed on permanent grease lubrication
$F_{0r per}$	6.700 N	Permissible static load, radial
$F_{r per}$	5.600 N	Permissible dynamic load outer ring, radial
	14,4 g	Weight

Dimensions

C	11 mm	Width, outer ring
d_2	12,5 mm	Outside diameter of thrust washer
r_{min}	0,15 mm	Minimum chamfer dimension