

## ★ NATV6-PP

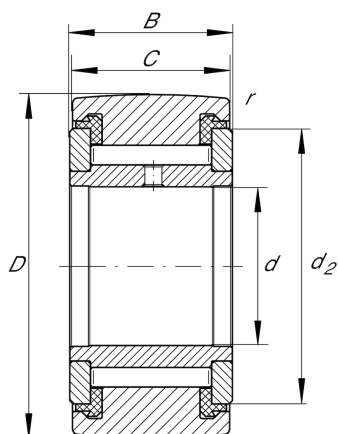
Yoke type track roller

Schaeffler ID:  
0057073820000

★ Preferred product

Yoke type track rollers NATV...-PP, full complement needle roller set, with axial guidance, axial plain washers on both sides

### Technical information



#### Main Dimensions & Performance Data

d	6 mm	Bore diameter
D	19 mm	Outside diameter
B	12 mm	Width, inner ring
$C_{r w}$	5.400 N	Basic dynamic load rating, radial
$C_{0r w}$	8.100 N	Basic static load rating, radial
$C_{ur w}$	1.190 N	Fatigue load limit, radial
$n_{DG}$	3.100 1/min	Speed on permanent grease lubrication
$F_{0r per}$	8.100 N	Permissible static load, radial
$F_{r per}$	7.100 N	Permissible dynamic load outer ring, radial
	21 g	Weight

#### Dimensions

C	11 mm	Width, outer ring
$d_2$	15 mm	Outside diameter of thrust washer
$r_{min}$	0,15 mm	Minimum chamfer dimension