

★ NATV8-PP

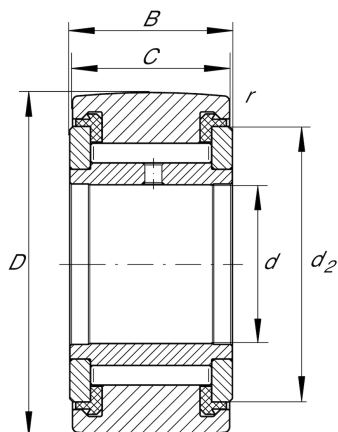
Yoke type track roller

Schaeffler ID:
0057127500000

★ Preferred product

Yoke type track rollers NATV...-PP, full complement needle roller set, with axial guidance, axial plain washers on both sides

Technical information



Main Dimensions & Performance Data

d	8 mm	Bore diameter
D	24 mm	Outside diameter
B	15 mm	Width, inner ring
$C_{r w}$	7.800 N	Basic dynamic load rating, radial
$C_{0r w}$	11.700 N	Basic static load rating, radial
$C_{ur w}$	1.620 N	Fatigue load limit, radial
n_{DG}	2.500 1/min	Speed on permanent grease lubrication
$F_{0r per}$	11.700 N	Permissible static load, radial
$F_{r per}$	10.200 N	Permissible dynamic load outer ring, radial
	41 g	Weight

Dimensions

C	14 mm	Width, outer ring
d_2	19 mm	Outside diameter of thrust washer
r_{min}	0,3 mm	Minimum chamfer dimension