

★ NATV30-PP

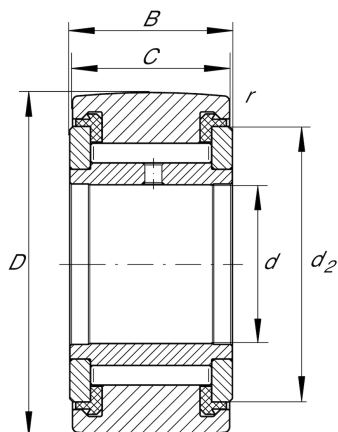
Yoke type track roller

Schaeffler ID:
0057293190000

★ Preferred product

Yoke type track rollers NATV...-PP, full complement needle roller set, with axial guidance, axial plain washers on both sides

Technical information



Main Dimensions & Performance Data

d	30 mm	Bore diameter
D	62 mm	Outside diameter
B	29 mm	Width, inner ring
$C_{r w}$	30.000 N	Basic dynamic load rating, radial
$C_{0r w}$	63.000 N	Basic static load rating, radial
$C_{ur w}$	9.000 N	Fatigue load limit, radial
n_{DG}	850 1/min	Speed on permanent grease lubrication
$F_{0r per}$	63.000 N	Permissible static load, radial
$F_{r per}$	55.000 N	Permissible dynamic load outer ring, radial
	0,458 kg	Weight

Dimensions

C	28 mm	Width, outer ring
d_2	51 mm	Outside diameter of thrust washer
r_{min}	1 mm	Minimum chamfer dimension