

★ NATV35-PP

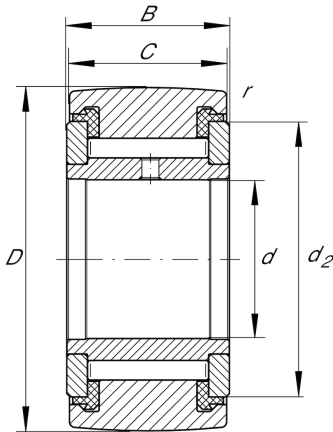
Yoke type track roller

Schaeffler ID:
0057326200000

★ Preferred product

Yoke type track rollers NATV...-PP, full complement needle roller set, with axial guidance, axial plain washers on both sides

Technical information



Main Dimensions & Performance Data

d	35 mm	Bore diameter
D	72 mm	Outside diameter
B	29 mm	Width, inner ring
$C_{r w}$	32.500 N	Basic dynamic load rating, radial
$C_{0r w}$	72.000 N	Basic static load rating, radial
$C_{ur w}$	10.300 N	Fatigue load limit, radial
n_{DG}	750 1/min	Speed on permanent grease lubrication
$F_{0r per}$	72.000 N	Permissible static load, radial
$F_{r per}$	62.000 N	Permissible dynamic load outer ring, radial
	0,636 kg	Weight

Dimensions

C	28 mm	Width, outer ring
d_2	58 mm	Outside diameter of thrust washer
r_{min}	1,1 mm	Minimum chamfer dimension