

## ★ NUTR20

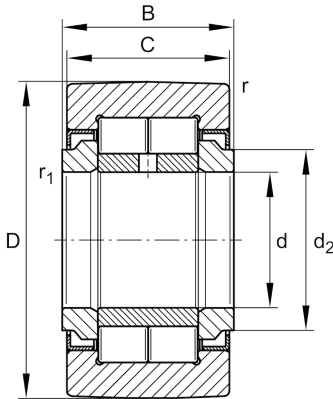
Yoke type track roller

Schaeffler ID:  
0095960110000

★ Preferred product

Yoke type track rollers NUTR, full complement cylindrical roller set, with axial guidance, labyrinth seals on both sides

### Technical information



#### Main Dimensions & Performance Data

d	20 mm	Bore diameter
D	47 mm	Outside diameter
B	25 mm	Width, inner ring
$C_{r w}$	28.500 N	Basic dynamic load rating, radial
$C_{0r w}$	38.000 N	Basic static load rating, radial
$C_{ur w}$	4.950 N	Fatigue load limit, radial
$n_{DG}$	4.200 1/min	Speed on permanent grease lubrication
$F_{0r per}$	32.500 N	Permissible static load, radial
$F_{r per}$	16.200 N	Permissible dynamic load outer ring, radial
	0,002 kg	Weight

#### Dimensions

C	24 mm	Width, outer ring
$d_2$	27 mm	Stop diameter of thrust washer
$r_{min}$	1 mm	Minimum chamfer dimension
$r_{1 min}$	0,5 mm	Minimum chamfer dimension