

★ NUTR3072

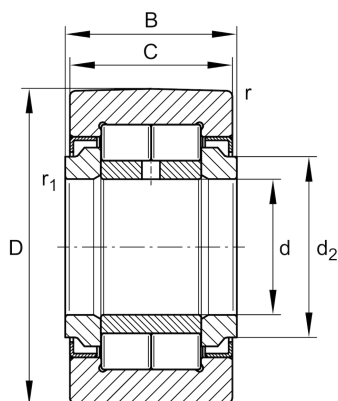
Yoke type track roller

Schaeffler ID:
0095960620000

★ Preferred product

Yoke type track rollers NUTR, full complement cylindrical roller set, with axial guidance, labyrinth seals on both sides

Technical information



Main Dimensions & Performance Data

| | | |
|--------------|-------------|---|
| d | 30 mm | Bore diameter |
| D | 72 mm | Outside diameter |
| B | 29 mm | Width, inner ring |
| $C_{r w}$ | 48.000 N | Basic dynamic load rating, radial |
| $C_{0r w}$ | 71.000 N | Basic static load rating, radial |
| $C_{ur w}$ | 9.300 N | Fatigue load limit, radial |
| n_{DG} | 2.600 1/min | Speed on permanent grease lubrication |
| $F_{0r per}$ | 71.000 N | Permissible static load, radial |
| $F_{r per}$ | 68.000 N | Permissible dynamic load outer ring, radial |
| | 0,71 kg | Weight |

Dimensions

| | | |
|-------------|--------|--------------------------------|
| C | 28 mm | Width, outer ring |
| d_2 | 38 mm | Stop diameter of thrust washer |
| r_{min} | 1 mm | Minimum chamfer dimension |
| $r_{1 min}$ | 0,5 mm | Minimum chamfer dimension |