

★ PWKRE35-2RS-XL

Yoke type track roller

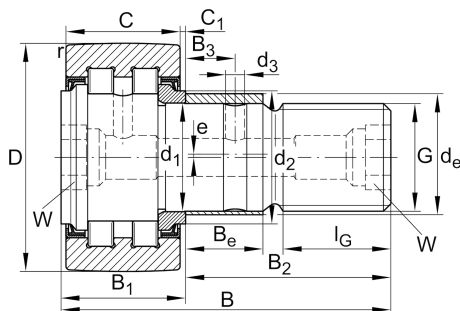
Schaeffler ID:
0626409170000

★ Preferred product

Stud type track rollers PWKRE..-2RS, with axial guidance, full complement cylindrical roller set, with eccentric collar, lip seals on both sides

X-life

Technical information



Main Dimensions & Performance Data

D	35 mm	Outside diameter
d ₁	16 mm	Fit diameter of roller stud / stud
B	52 mm	Width
C _{r w}	12.600 N	Basic dynamic load rating, radial
C _{0r w}	14.900 N	Basic static load rating, radial
C _{ur w}	1.790 N	Fatigue load limit, radial
n _{D G}	6.000 1/min	Speed on permanent grease lubrication
F _{0r per}	14.900 N	Permissible static load, radial
F _{r per}	10.600 N	Permissible dynamic load outer ring, radial
	0,178 kg	Weight

Dimensions

B ₁	22,6 mm	Width of thrust washer
B ₂	29,5 mm	Bolt/stud length effectively
C	18 mm	Width, outer ring
C ₁	3,8 mm	Protrusion outer ring to thrust washer
r _{min}	0,6 mm	Minimum chamfer dimension
d ₂	27,6 mm	Stop diameter of thrust washer
G	M16X1,5	Thread
l _G	17 mm	Thread length
W	8 mm	Width of flats
d _e	20 mm	Diameter of eccentric
B _e	12 mm	Width, eccentric
e	1 mm	Eccentricity

Additional information

	NIPA2X7,5	Drive-fit lubrication nipple
M _A	58 Nm	Tightening torque nut