

★ PWTR50110-2RS-XL

Yoke type track roller

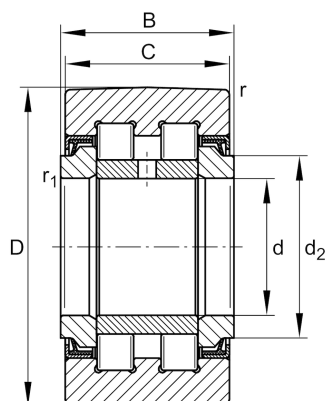
Schaeffler ID:
0645342000000

★ Preferred product

Yoke type track rollers PWTR..-2RS, full complement cylindrical roller set, with axial guidance, lip seals on both sides

X-life

Technical information



Main Dimensions & Performance Data

d	50 mm	Bore diameter
D	110 mm	Outside diameter
B	32 mm	Width, inner ring
$C_{r w}$	59.000 N	Basic dynamic load rating, radial
$C_{0r w}$	95.000 N	Basic static load rating, radial
$C_{ur w}$	12.300 N	Fatigue load limit, radial
n_{DG}	1.100 1/min	Speed on permanent grease lubrication
$F_{0r per}$	95.000 N	Permissible static load, radial
$F_{r per}$	95.000 N	Permissible dynamic load outer ring, radial
	1,645 kg	Weight

Dimensions

C	30 mm	Width, outer ring
d_2	59,8 mm	Stop diameter of thrust washer
r_{min}	1,1 mm	Minimum chamfer dimension
$r_{1 min}$	0,6 mm	Minimum chamfer dimension