

★ RASEA50-XL-N

Plummer block housing unit

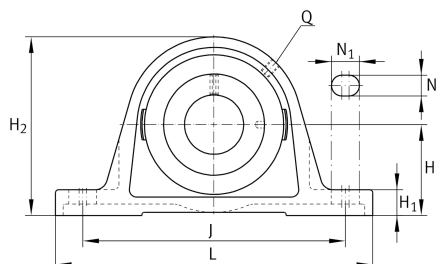
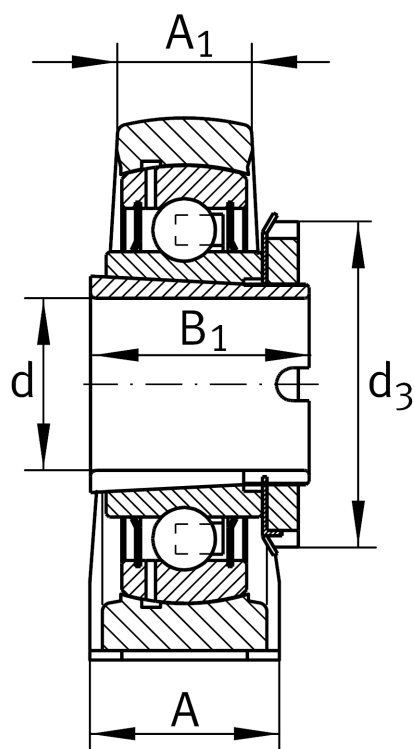
Schaeffler ID:
0000928940000

Plummer block housing units RASEA, cast iron housing, radial insert ball bearing with adapter sleeve, R seals

★ Preferred product

X-life

Technical information



Main Dimensions & Performance Data

d	50 mm	Bore diameter
L	200 mm	Length total
H ₂	115 mm	Height
	2,54 kg	Weight

Dimensions

H	57,2 mm	Distance shaft axis
A	54 mm	Width (base)
A ₁	34 mm	Width (head)
H ₁	21,5 mm	Height (base)
Q	Rp1/8	Connection thread lubrication

Mounting dimensions

J	158 mm	Distance fixing bore
N	18 mm	Width (slot)
N ₁	23 mm	Length (slot)

Additional information

ASE10	Housing
GSH50-XL-2RSR-B	Bearing designation
KASK10	Protecting cap