



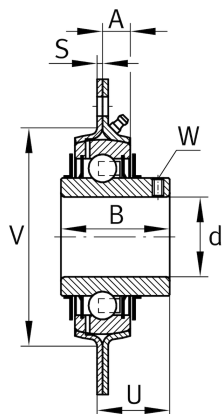
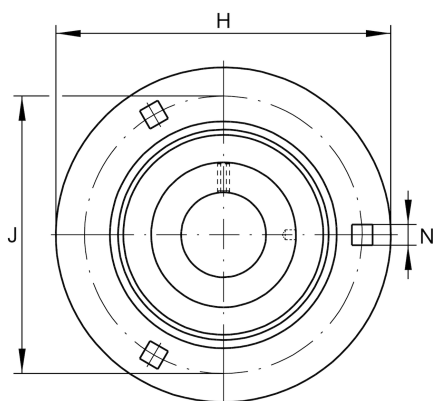
RRY20-VA

Flanged housing unit

Schaeffler ID:
0004466450000

Housing units RRY..-VA, three/four-bolt flanged housing units, sheet steel, grub screws in inner ring, R seals, with anti-corrosion protection, without relubrication facility

Technical information



Main Dimensions & Performance Data

d	20 mm	Bore diameter
H	90,5 mm	Height flange
U	20,3 mm	Total height unit
C _r	12.300 N	Basic dynamic load rating, radial
C _{0r}	6.300 N	Basic static load rating, radial
C _{ur}	310 N	Fatigue load limit, radial
C _{0rG}	3.200 N	Load carrying capacity (housing)
	0,32 kg	Weight

Dimensions

A	8 mm	Height housing
B	31 mm	Width
S	2 mm	Thickness of flange
V	55 mm	Shoulder diameter housing

Mounting dimensions

J	71,5 mm	Pitch circle diameter (holes)
N	8,7 mm	Fixing square
n	3	Number of screwing holes

Additional information

	2	Number of housings
	FLAN47-MSB-VA	Housing
	SUC204	Bearing designation