



★ RCJY90-XL

Flanged housing unit

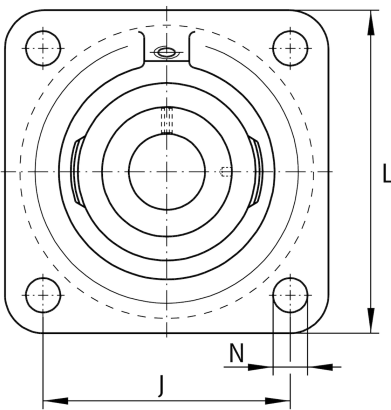
Schaeffler ID:
0008146100000

★ Preferred product

Housing units RCJY, four-bolt flanged housing units, cast iron, grub screws in inner ring, R seals

X-life

Technical information



Main Dimensions & Performance Data

d	90 mm	Bore diameter
L	235 mm	Flange width
U	80,1 mm	Total height unit
C _r	109.000 N	Basic dynamic load rating, radial
C _{0r}	79.000 N	Basic static load rating, radial
C _{ur}	2.700 N	Fatigue load limit, radial
	9,24 kg	Weight

Dimensions

A	39,8 mm	Height housing
A ₁	22 mm	Thickness of flange
A ₂	23,8 mm	Distance raceway
B	96 mm	Width
V	200 mm	Shoulder diameter housing
Q	Rp1/8	Connection thread lubrication

Mounting dimensions

J	187 mm	Distance fixing bore
N	23 mm	Fixing bore
n	4	Number of screwing holes

Additional information

	1	Number of housings
	CJ18	Housing
	GYE90-XL-KRR-B	Bearing designation