



★ RCSMF30-XL

Flanged housing unit

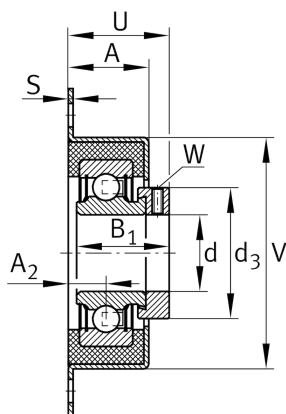
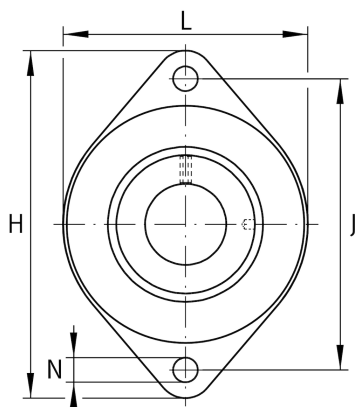
Schaeffler ID:
0008269790000

★ Preferred product

Housing units RCSMF, two-bolt flanged housing units, sheet steel, rubber interliner, eccentric locking collar, P seals

X-life

Technical information



Main Dimensions & Performance Data

d	30 mm	Bore diameter
L	70 mm	Flange width
H	114 mm	Height flange
U	35 mm	Total height unit
C_r	13.200 N	Basic dynamic load rating, radial
C_{0r}	8.300 N	Basic static load rating, radial
C_{ur}	430 N	Fatigue load limit, radial
C_{0rG}	1.400 N	Load carrying capacity (housing)
C_g	1.400 N	Load carrying capacity (housing)
	0,32 kg	Weight

Dimensions

A	27 mm	Height housing
A_2	15 mm	Distance raceway
S	1,5 mm	Thickness of flange
V	68 mm	Shoulder diameter housing

Mounting dimensions

J	92 mm	Distance fixing bore
N	10.5 mm	Fixing bore
n	2	Number of screwing holes

Additional information

	2	Number of housings
	FLAN65-RCSMF	Housing
	GRG.RCSM55/65	Rubber interliner designation
	RALE30-XL-NPP-	Bearing designation
	FA106	