



## ★ RFE40-XL

### Flanged housing unit

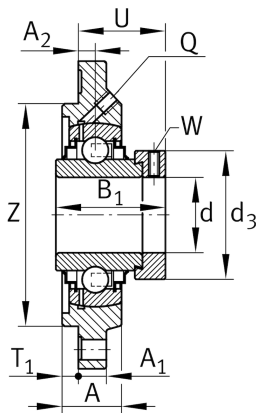
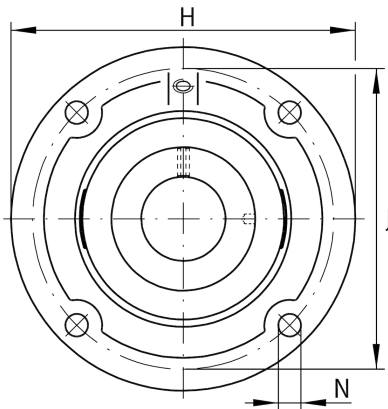
Schaeffler ID:  
0008276570000

★ Preferred product

Housing units RFE, four-bolt flanged housing units, cast iron, centring spigot, eccentric locking collar, R seals

X-life

## Technical information



### Main Dimensions & Performance Data

|                 |          |                                   |
|-----------------|----------|-----------------------------------|
| d               | 40 mm    | Bore diameter                     |
| H               | 145 mm   | Height flange                     |
| H               | 145 mm   | Flange width                      |
| U               | 46,4 mm  | Total height unit                 |
| C <sub>r</sub>  | 34.500 N | Basic dynamic load rating, radial |
| C <sub>0r</sub> | 19.800 N | Basic static load rating, radial  |
| C <sub>ur</sub> | 840 N    | Fatigue load limit, radial        |
|                 | 1,69 kg  | Weight                            |

### Dimensions

|                |         |                               |
|----------------|---------|-------------------------------|
| A              | 26 mm   | Height housing                |
| A <sub>1</sub> | 11,5 mm | Thickness of flange           |
| A <sub>2</sub> | 11,5 mm | Distance raceway              |
| B <sub>1</sub> | 56,5 mm | Locking collar total width    |
| Q              | Rp1/8   | Connection thread lubrication |

### Mounting dimensions

|                |         |                               |
|----------------|---------|-------------------------------|
| J              | 120 mm  | Distance fixing bore          |
| J              | 120 mm  | Pitch circle diameter (holes) |
| N              | 11.5 mm | Fixing bore                   |
| T <sub>1</sub> | 4 mm    | Height spigot                 |
| Z              | 100 mm  | Diameter spigot               |
|                | h8      | Diameter spigot clearance     |
| n              | 4       | Number of screwing holes      |

### Additional information

|  |               |                     |
|--|---------------|---------------------|
|  | 1             | Number of housings  |
|  | GG.FE08       | Housing             |
|  | GE40-XL-KRR-B | Bearing designation |