



★ RFE45-XL

Flanged housing unit

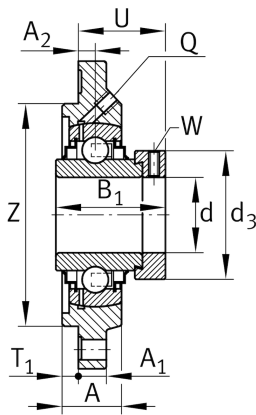
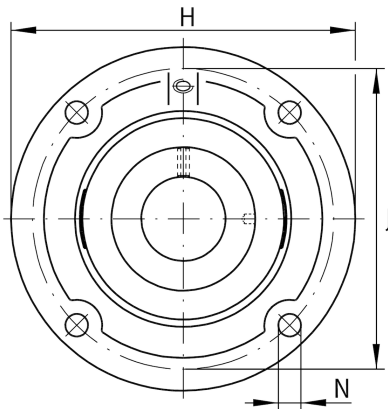
Schaeffler ID:
0008276650000

★ Preferred product

Housing units RFE, four-bolt flanged housing units, cast iron, centring spigot, eccentric locking collar, R seals

X-life

Technical information



Main Dimensions & Performance Data

d	45 mm	Bore diameter
H	155 mm	Height flange
H	155 mm	Flange width
U	46,4 mm	Total height unit
C _r	34.500 N	Basic dynamic load rating, radial
C _{0r}	20.400 N	Basic static load rating, radial
C _{ur}	1.060 N	Fatigue load limit, radial
	2,01 kg	Weight

Dimensions

A	26,5 mm	Height housing
A ₁	12 mm	Thickness of flange
A ₂	11,5 mm	Distance raceway
B ₁	56,5 mm	Locking collar total width
Q	M6	Connection thread lubrication

Mounting dimensions

J	130 mm	Distance fixing bore
J	130 mm	Pitch circle diameter (holes)
N	14 mm	Fixing bore
T ₁	4 mm	Height spigot
Z	105 mm	Diameter spigot
	h8	Diameter spigot clearance
n	4	Number of screwing holes

Additional information

	1	Number of housings
	GG.FE09	Housing
	GE45-XL-KRR-B	Bearing designation