



RTUE40-XL

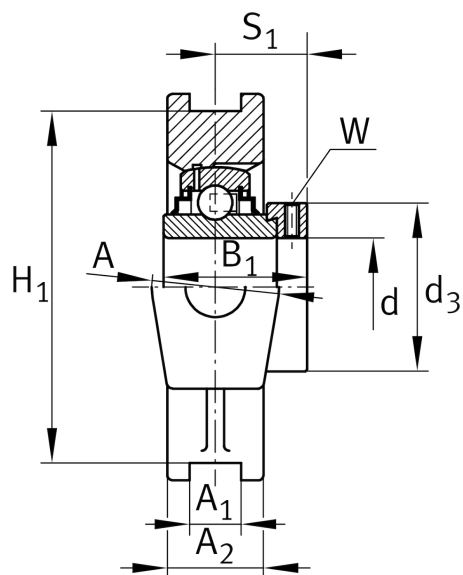
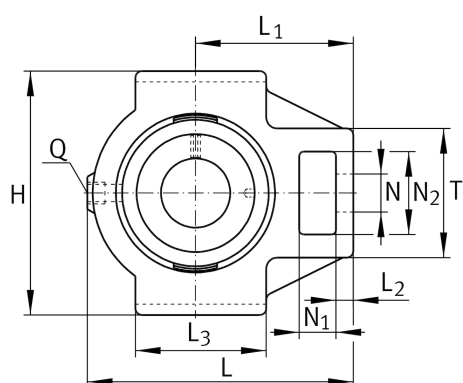
Take-up housing unit

Schaeffler ID:
0008276730000

Take-up housing units RTUE, cast iron housing, radial insert ball bearing with eccentric locking collar, R seals

X-life

Technical information



Main Dimensions & Performance Data

d	40 mm	Bore diameter
H	115 mm	Height
L	141 mm	Length total
	2,5 kg	Weight

Dimensions

L ₁	88 mm	Distance shaft axis
L ₂	16 mm	Length fixed link
L ₃	82 mm	Length guidance groove
A	50 mm	Width housing fixing side
N ₁	20 mm	Width recess
N ₂	49 mm	Height recess
T	82 mm	Height housing fixing side
Q	Rp1/8	Connection thread lubrication
A ₂	35 mm	Width housing

Mounting dimensions

A ₁	16 mm	Width guidance groove
	H13	Width guidance groove clearance
H ₁	102 mm	Distance guidance grooves
	0,15 mm	Upper distance guidance groove tolerance
	-0,15 mm	Lower distance guidance groove tolerance
N	29 mm	Fixing bore

Additional information

TUE08	Housing
GE40-XL-KRR-B	Bearing designation