



★ RTUE50-XL

Take-up housing unit

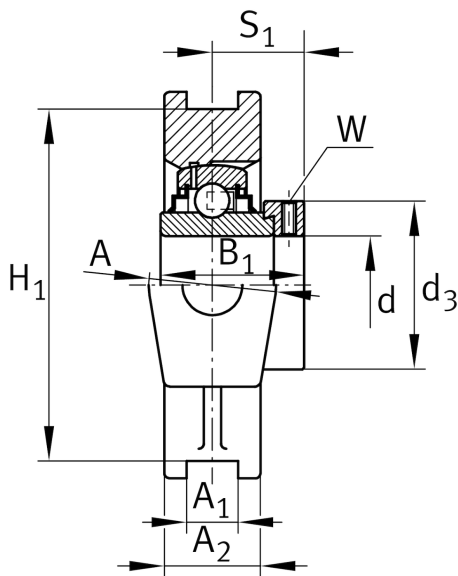
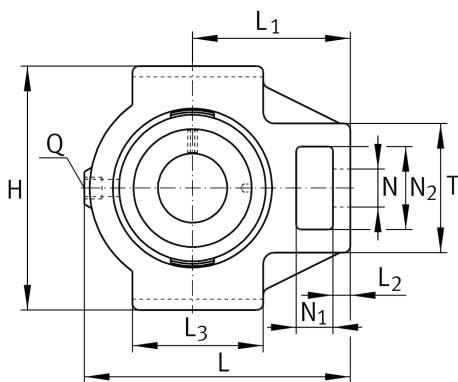
Schaeffler ID:
0008277030000

★ Preferred product

Take-up housing units RTUE, cast iron housing, radial insert ball bearing with eccentric locking collar, R seals

X-life

Technical information



Main Dimensions & Performance Data

| | | |
|---|---------|---------------|
| d | 50 mm | Bore diameter |
| H | 115 mm | Height |
| L | 148 mm | Length total |
| | 2,57 kg | Weight |

Dimensions

| | | |
|----------------|-------|-------------------------------|
| L ₁ | 90 mm | Distance shaft axis |
| L ₂ | 16 mm | Length fixed link |
| L ₃ | 85 mm | Length guidance groove |
| A | 50 mm | Width housing fixing side |
| N ₁ | 20 mm | Width recess |
| N ₂ | 49 mm | Height recess |
| T | 83 mm | Height housing fixing side |
| Q | Rp1/8 | Connection thread lubrication |
| A ₂ | 35 mm | Width housing |

Mounting dimensions

| | | |
|----------------|----------|--|
| A ₁ | 16 mm | Width guidance groove |
| | H13 | Width guidance groove clearance |
| H ₁ | 102 mm | Distance guidance grooves |
| | 0,15 mm | Upper distance guidance groove tolerance |
| | -0,15 mm | Lower distance guidance groove tolerance |
| N | 29 mm | Fixing bore |

Additional information

| | |
|---------------|---------------------|
| TUE10 | Housing |
| GE50-XL-KRR-B | Bearing designation |