



★ RTUE60-XL

Take-up housing unit

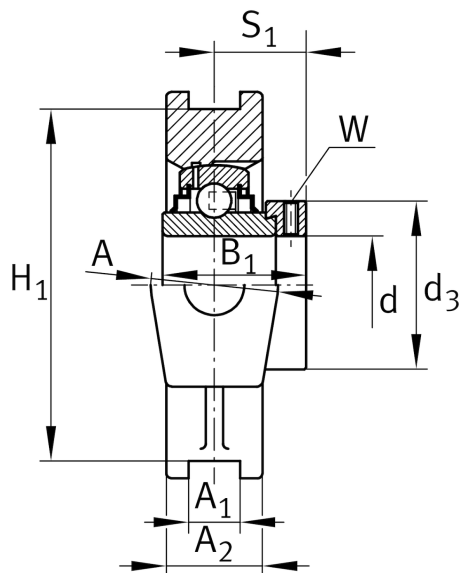
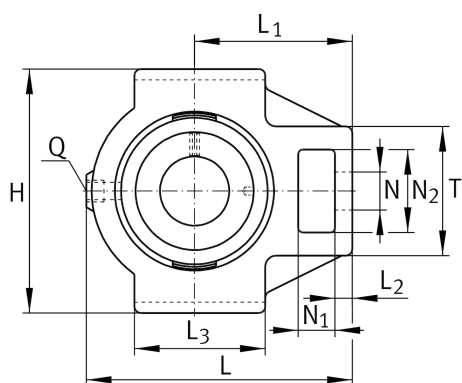
Schaeffler ID:
0008277380000

★ Preferred product

Take-up housing units RTUE, cast iron housing, radial insert ball bearing with eccentric locking collar, R seals

X-life

Technical information



Main Dimensions & Performance Data

d	60 mm	Bore diameter
H	146 mm	Height
L	186 mm	Length total
	4,74 kg	Weight

Dimensions

L ₁	118 mm	Distance shaft axis
L ₂	19 mm	Length fixed link
L ₃	100 mm	Length guidance groove
A	60 mm	Width housing fixing side
N ₁	32 mm	Width recess
N ₂	63,5 mm	Height recess
T	102 mm	Height housing fixing side
Q	M6	Connection thread lubrication
A ₂	44 mm	Width housing

Mounting dimensions

A ₁	22 mm	Width guidance groove
	H13	Width guidance groove clearance
H ₁	130 mm	Distance guidance grooves
	0,15 mm	Upper distance guidance groove tolerance
	-0,15 mm	Lower distance guidance groove tolerance
N	35 mm	Fixing bore

Additional information

TUE12	Housing
GE60-XL-KRR-B	Bearing designation