



## ★ RFE50-XL-N

### Flanged housing unit

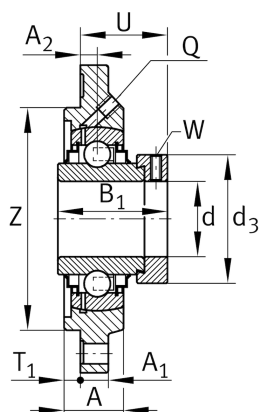
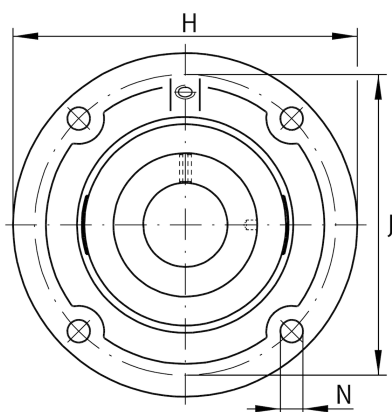
Schaeffler ID:  
0008278270000

Housing units RFE, four-bolt flanged housing units, cast iron, centring spigot, eccentric locking collar, R seals

★ Preferred product

X-life

### Technical information



### Main Dimensions & Performance Data

|                 |          |                                   |
|-----------------|----------|-----------------------------------|
| d               | 50 mm    | Bore diameter                     |
| H               | 165 mm   | Height flange                     |
| H               | 165 mm   | Flange width                      |
| U               | 50,6 mm  | Total height unit                 |
| C <sub>r</sub>  | 37.500 N | Basic dynamic load rating, radial |
| C <sub>0r</sub> | 23.200 N | Basic static load rating, radial  |
| C <sub>ur</sub> | 1.210 N  | Fatigue load limit, radial        |
|                 | 2,45 kg  | Weight                            |

### Dimensions

|                |         |                               |
|----------------|---------|-------------------------------|
| A              | 27,5 mm | Height housing                |
| A <sub>1</sub> | 13 mm   | Thickness of flange           |
| A <sub>2</sub> | 12,5 mm | Distance raceway              |
| B <sub>1</sub> | 62,8 mm | Locking collar total width    |
| Q              | Rp1/8   | Connection thread lubrication |

### Mounting dimensions

|                |        |                               |
|----------------|--------|-------------------------------|
| J              | 136 mm | Distance fixing bore          |
| J              | 136 mm | Pitch circle diameter (holes) |
| N              | 14 mm  | Fixing bore                   |
| T <sub>1</sub> | 4 mm   | Height spigot                 |
| Z              | 115 mm | Diameter spigot               |
|                | h8     | Diameter spigot clearance     |
| n              | 4      | Number of screwing holes      |

### Additional information

|  |               |                     |
|--|---------------|---------------------|
|  | 1             | Number of housings  |
|  | GG.FE10       | Housing             |
|  | GE50-XL-KRR-B | Bearing designation |
|  | KASK10        | Protecting cap      |