



## ★ RFE60-XL

### Flanged housing unit

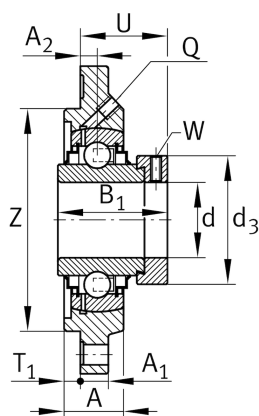
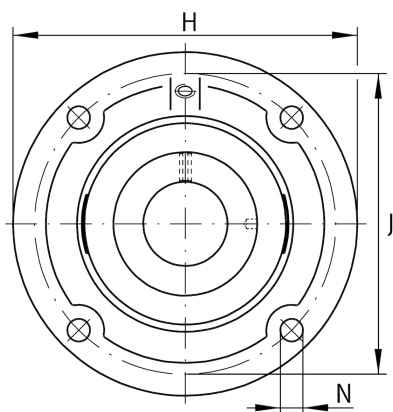
Schaeffler ID:  
0008278350000

★ Preferred product

Housing units RFE, four-bolt flanged housing units, cast iron, centring spigot, eccentric locking collar, R seals

X-life

## Technical information



### Main Dimensions & Performance Data

d	60 mm	Bore diameter
H	195 mm	Height flange
H	195 mm	Flange width
U	63,8 mm	Total height unit
C <sub>r</sub>	56.000 N	Basic dynamic load rating, radial
C <sub>0r</sub>	36.000 N	Basic static load rating, radial
C <sub>ur</sub>	1.870 N	Fatigue load limit, radial
	4,11 kg	Weight

### Dimensions

A	33 mm	Height housing
A <sub>1</sub>	16 mm	Thickness of flange
A <sub>2</sub>	17 mm	Distance raceway
B <sub>1</sub>	77,9 mm	Locking collar total width
Q	Rp1/8	Connection thread lubrication

### Mounting dimensions

J	165 mm	Distance fixing bore
J	165 mm	Pitch circle diameter (holes)
N	14 mm	Fixing bore
T <sub>1</sub>	4 mm	Height spigot
Z	140 mm	Diameter spigot
	h8	Diameter spigot clearance
n	4	Number of screwing holes

### Additional information

	1	Number of housings
	GG.FE12	Housing
	GE60-XL-KRR-B	Bearing designation