



★ RAT35-XL

Flanged housing unit

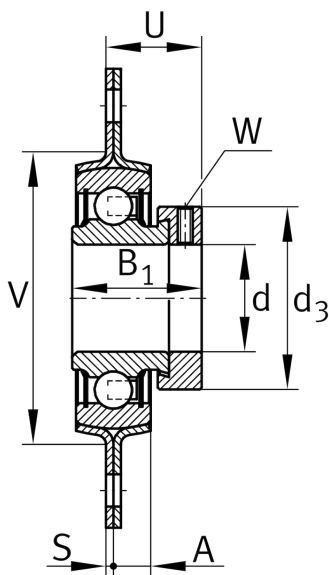
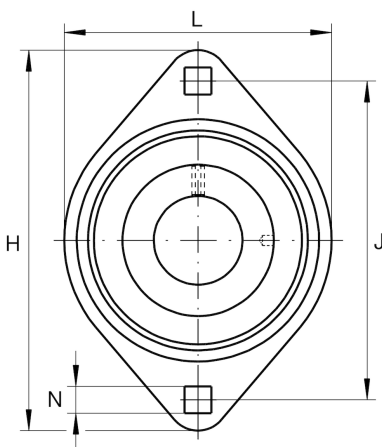
Schaeffler ID:
0008280920000

★ Preferred product

Housing units RAT, two-bolt flanged housing units, sheet steel, eccentric locking collar, P seals

X-life

Technical information



Main Dimensions & Performance Data

d	35 mm	Bore diameter
L	94 mm	Flange width
H	123 mm	Height flange
H	122 mm	Flange width
U	31,5 mm	Total height unit
C_r	27.500 N	Basic dynamic load rating, radial
C_{0r}	15.300 N	Basic static load rating, radial
C_{ur}	650 N	Fatigue load limit, radial
C_{0rG}	6.300 N	Load carrying capacity (housing)
C_g	6.300 N	Load carrying capacity (housing)
	0,72 kg	Weight

Dimensions

A	10,5 mm	Height housing
S_1	2,5 mm	Thickness of flange
S	2,5 mm	Thickness of flange
V	81 mm	Shoulder diameter housing

Mounting dimensions

J	100 mm	Distance fixing bore
N	10,5 mm	Fixing square
n	2	Number of screwing holes

Additional information

	2	Number of housings
	FLAN72-MST	Housing
	RAE35-XL-NPP-B	Bearing designation