



## ★ RCJ80-XL

Flanged housing unit

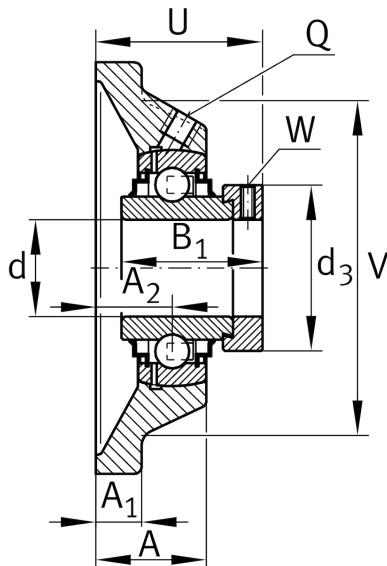
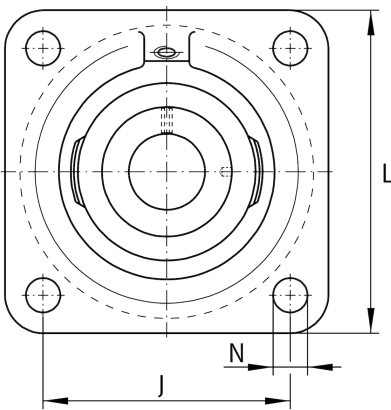
Schaeffler ID:  
0008312040000

★ Preferred product

Housing units RCJ, four-bolt flanged housing units, cast iron, eccentric locking collar, R seals

X-life

### Technical information



### Main Dimensions & Performance Data

d	80 mm	Bore diameter
L	197 mm	Flange width
U	88,9 mm	Total height unit
$C_r$	76.000 N	Basic dynamic load rating, radial
$C_{0r}$	54.000 N	Basic static load rating, radial
$C_{ur}$	2.700 N	Fatigue load limit, radial
	6,25 kg	Weight

### Dimensions

A	55,8 mm	Height housing
$A_1$	20 mm	Thickness of flange
$A_2$	41,3 mm	Distance raceway
V	180 mm	Shoulder diameter housing
Q	Rp1/8	Connection thread lubrication
$d_3$	108 mm	Outside diameter eccentric locking collar

### Mounting dimensions

J	153 mm	Distance fixing bore
N	23 mm	Fixing bore
n	4	Number of screwing holes

### Additional information

	1	Number of housings
	CJ16	Housing
	GE80-XL-KRR-B	Bearing designation