



★ GLCTE20-XL

Flanged housing unit

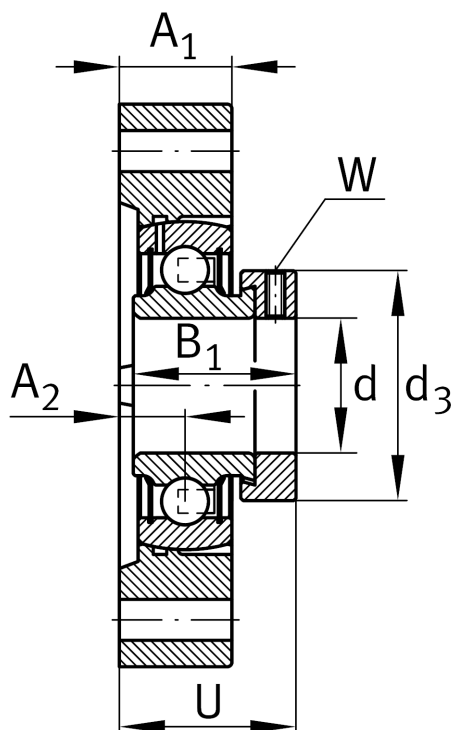
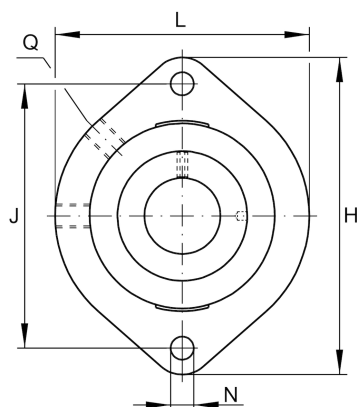
Schaeffler ID:
0008313440000

Housing units GLCTE, two-bolt flanged housing units, cast iron, eccentric locking collar, P seals

★ Preferred product

X-life

Technical information



Main Dimensions & Performance Data

d	20 mm	Bore diameter
L	66,5 mm	Flange width
H	90,5 mm	Height flange
U	33 mm	Total height unit
C _r	13.600 N	Basic dynamic load rating, radial
C _{0r}	6.600 N	Basic static load rating, radial
C _{ur}	345 N	Fatigue load limit, radial
	0,47 kg	Weight

Dimensions

A ₁	17 mm	Thickness of flange
A ₂	9,5 mm	Distance raceway
B ₁	31 mm	Locking collar total width
Q	M6	Connection thread lubrication
d ₃	33 mm	Outside diameter eccentric locking collar

Mounting dimensions

J	71,4 mm	Distance fixing bore
N	9 mm	Fixing bore
n	2	Number of screwing holes

Additional information

	1	Number of housings
	GLCTE04	Housing
	GRAE20-XL-NPP-B	Bearing designation