



★ PCFT15-XL

Flanged housing unit

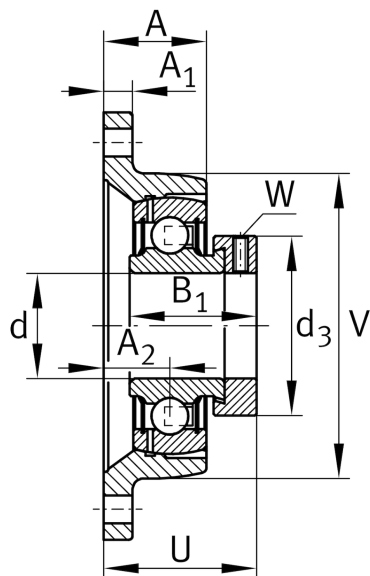
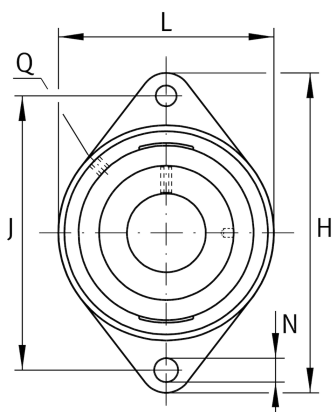
Schaeffler ID:
0008313950000

Housing units PCFT, two-bolt flanged housing units, cast iron, eccentric locking collar, P seals

★ Preferred product

X-life

Technical information



Main Dimensions & Performance Data

d	15 mm	Bore diameter
L	57 mm	Flange width
H	99 mm	Height flange
U	32,1 mm	Total height unit
C _r	10.100 N	Basic dynamic load rating, radial
C _{0r}	4.750 N	Basic static load rating, radial
C _{ur}	248 N	Fatigue load limit, radial
	0,34 kg	Weight

Dimensions

A	18 mm	Height housing
A ₁	9,5 mm	Thickness of flange
A ₂	10 mm	Distance raceway
V	57 mm	Shoulder diameter housing
Q	M6	Connection thread lubrication
d ₃	28,4 mm	Outside diameter eccentric locking collar

Mounting dimensions

J	76,5 mm	Distance fixing bore
N	11,5 mm	Fixing bore
n	2	Number of screwing holes

Additional information

	1	Number of housings
	CFT03	Housing
	GRAE15-XL-NPP-B	Bearing designation