



## ★ FLCTE15-XL

Flanged housing unit

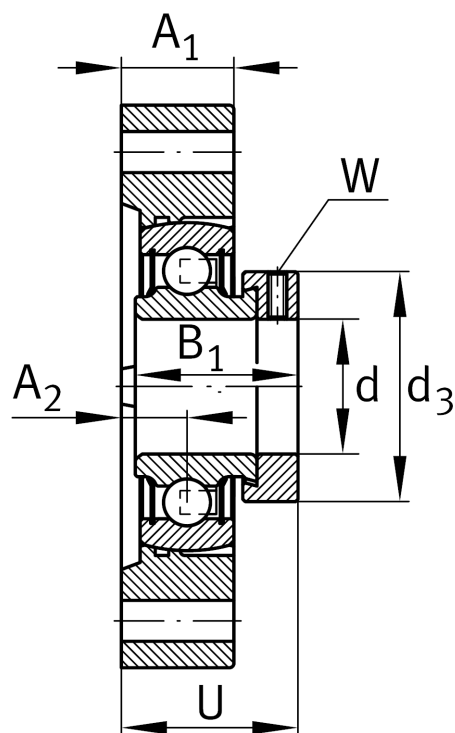
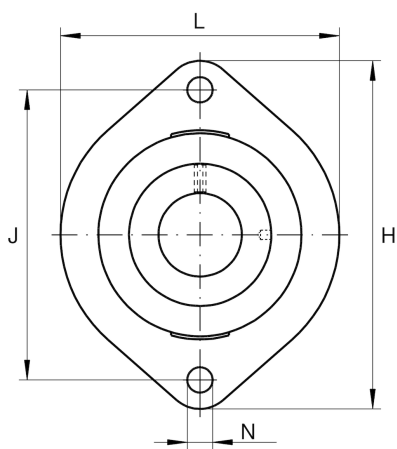
Schaeffler ID:  
0008315300000

★ Preferred product

Housing units FLCTE, two-bolt flanged housing units, cast iron, eccentric locking collar, P seals, without relubrication facility

X-life

### Technical information



### Main Dimensions & Performance Data

d	15 mm	Bore diameter
L	58,7 mm	Flange width
H	81 mm	Height flange
U	30,5 mm	Total height unit
$C_r$	9.800 N	Basic dynamic load rating, radial
$C_{0r}$	4.750 N	Basic static load rating, radial
$C_{ur}$	248 N	Fatigue load limit, radial
	0,3 kg	Weight

### Dimensions

$A_1$	15 mm	Thickness of flange
$A_2$	8,4 mm	Distance raceway
$d_3$	28,4 mm	Outside diameter eccentric locking collar

### Mounting dimensions

J	63,5 mm	Distance fixing bore
N	6,6 mm	Fixing bore
n	2	Number of screwing holes

### Additional information

	1	Number of housings
	LCTE03	Housing
	RAE15-XL-NPP-B	Bearing designation