



## ★ FLCTE20-XL

Flanged housing unit

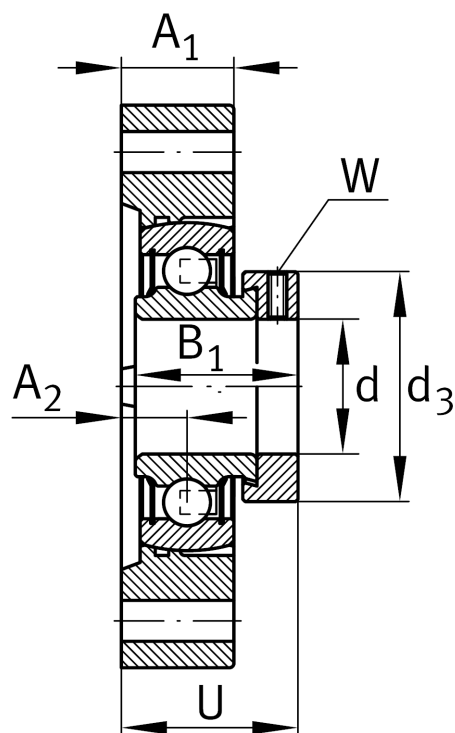
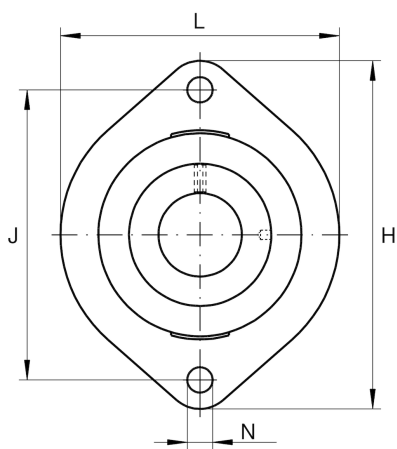
Schaeffler ID:  
0008315570000

★ Preferred product

Housing units FLCTE, two-bolt flanged housing units, cast iron, eccentric locking collar, P seals, without relubrication facility

X-life

### Technical information



### Main Dimensions & Performance Data

d	20 mm	Bore diameter
L	66,5 mm	Flange width
H	90,5 mm	Height flange
U	33 mm	Total height unit
$C_r$	13.600 N	Basic dynamic load rating, radial
$C_{0r}$	6.600 N	Basic static load rating, radial
$C_{ur}$	345 N	Fatigue load limit, radial
	0,414 kg	Weight

### Dimensions

$A_1$	17 mm	Thickness of flange
$A_2$	9,5 mm	Distance raceway
$d_3$	33 mm	Outside diameter eccentric locking collar

### Mounting dimensions

J	71,4 mm	Distance fixing bore
N	9 mm	Fixing bore
n	2	Number of screwing holes

### Additional information

	1	Number of housings
	LCTE04	Housing
	RAE20-XL-NPP-B	Bearing designation