



★ PCFT25-XL

Flanged housing unit

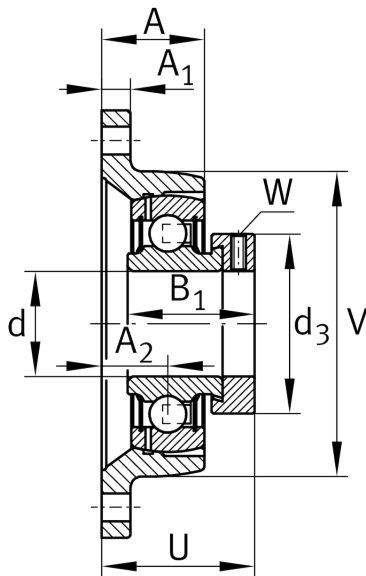
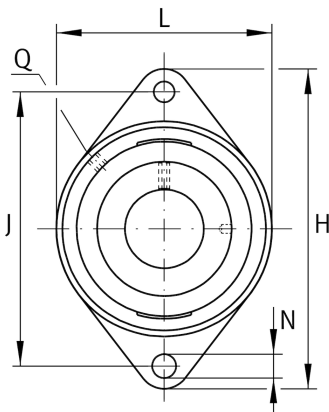
Schaeffler ID:
0008315730000

Housing units PCFT, two-bolt flanged housing units, cast iron, eccentric locking collar, P seals

★ Preferred product

X-life

Technical information



Main Dimensions & Performance Data

d	25 mm	Bore diameter
L	70 mm	Flange width
H	124 mm	Height flange
U	36 mm	Total height unit
C_r	14.900 N	Basic dynamic load rating, radial
C_{0r}	7.800 N	Basic static load rating, radial
C_{ur}	410 N	Fatigue load limit, radial
	0,55 kg	Weight

Dimensions

A	20 mm	Height housing
A_1	11 mm	Thickness of flange
A_2	12,5 mm	Distance raceway
V	70 mm	Shoulder diameter housing
Q	M6	Connection thread lubrication
d_3	37,5 mm	Outside diameter eccentric locking collar

Mounting dimensions

J	99 mm	Distance fixing bore
N	11.5 mm	Fixing bore
n	2	Number of screwing holes

Additional information

	1	Number of housings
	CFT05	Housing
	GRAE25-XL-NPP-B	Bearing designation