



★ PCFT35-XL

Flanged housing unit

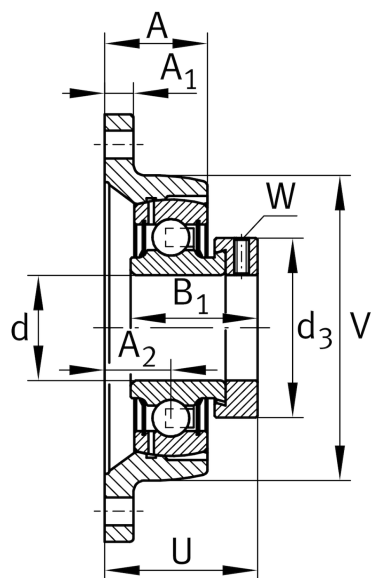
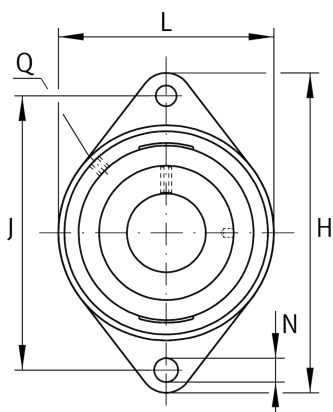
Schaeffler ID:
0008316030000

Housing units PCFT, two-bolt flanged housing units, cast iron, eccentric locking collar, P seals

★ Preferred product

X-life

Technical information



Main Dimensions & Performance Data

d	35 mm	Bore diameter
L	92 mm	Flange width
H	155 mm	Height flange
U	44,9 mm	Total height unit
C_r	25.500 N	Basic dynamic load rating, radial
C_{0r}	15.300 N	Basic static load rating, radial
C_{ur}	650 N	Fatigue load limit, radial
	1,06 kg	Weight

Dimensions

A	25 mm	Height housing
A_1	12,5 mm	Thickness of flange
A_2	15,5 mm	Distance raceway
V	92 mm	Shoulder diameter housing
Q	M6	Connection thread lubrication
d_3	55 mm	Outside diameter eccentric locking collar

Mounting dimensions

J	130 mm	Distance fixing bore
N	14 mm	Fixing bore
n	2	Number of screwing holes

Additional information

	1	Number of housings
	CFT07	Housing
	GRAE35-XL-NPP-B	Bearing designation