



★ PCFT40-XL

Flanged housing unit

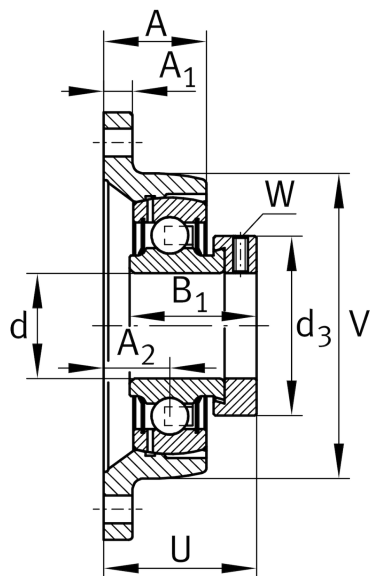
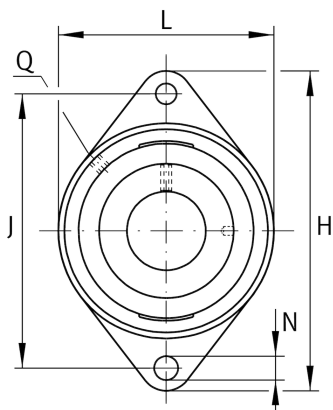
Schaeffler ID:
0008316110000

Housing units PCFT, two-bolt flanged housing units, cast iron, eccentric locking collar, P seals

★ Preferred product

X-life

Technical information



Main Dimensions & Performance Data

d	40 mm	Bore diameter
L	105 mm	Flange width
H	172 mm	Height flange
U	51 mm	Total height unit
C_r	32.500 N	Basic dynamic load rating, radial
C_{0r}	19.800 N	Basic static load rating, radial
C_{ur}	1.030 N	Fatigue load limit, radial
	1,45 kg	Weight

Dimensions

A	28,8 mm	Height housing
A_1	13 mm	Thickness of flange
A_2	18,3 mm	Distance raceway
V	105 mm	Shoulder diameter housing
Q	M6	Connection thread lubrication
d_3	58 mm	Outside diameter eccentric locking collar

Mounting dimensions

J	143,5 mm	Distance fixing bore
N	14 mm	Fixing bore
n	2	Number of screwing holes

Additional information

	1	Number of housings
	CFT08	Housing
	GRAE40-XL-NPP-B	Bearing designation