



## ★ RCJTZ25-XL

Flanged housing unit

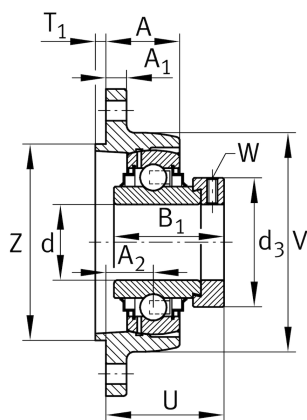
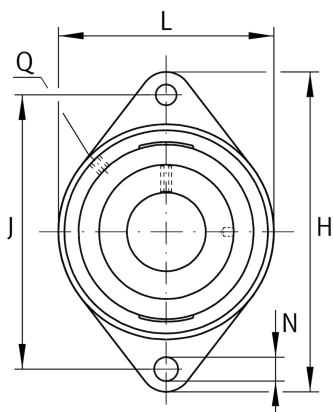
Schaeffler ID:  
0008316700000

Housing units RCJTZ, two-bolt flanged housing units, cast iron, centring spigot, eccentric locking collar, R seals

★ Preferred product

X-life

### Technical information



### Main Dimensions & Performance Data

d	25 mm	Bore diameter
L	70 mm	Flange width
H	124 mm	Height flange
U	46 mm	Total height unit
C <sub>r</sub>	14.900 N	Basic dynamic load rating, radial
C <sub>0r</sub>	7.800 N	Basic static load rating, radial
C <sub>ur</sub>	410 N	Fatigue load limit, radial
	0,76 kg	Weight

### Dimensions

A	26,5 mm	Height housing
A <sub>1</sub>	12 mm	Thickness of flange
A <sub>2</sub>	19 mm	Distance raceway
V	70 mm	Shoulder diameter housing
Q	Rp1/8	Connection thread lubrication
d <sub>3</sub>	37,5 mm	Outside diameter eccentric locking collar

### Mounting dimensions

J	99 mm	Distance fixing bore
N	11.5 mm	Fixing bore
T <sub>1</sub>	3,5 mm	Height spigot
Z	60 mm	Diameter spigot
	h8	Diameter spigot clearance
n	2	Number of screwing holes

### Additional information

	1	Number of housings
	CJTZ05	Housing
	GE25-XL-KRR-B	Bearing designation