



★ RCJTZ30-XL

Flanged housing unit

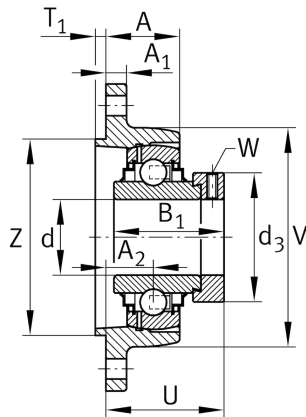
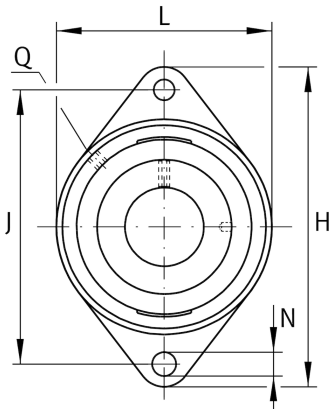
Schaeffler ID:
0008316890000

★ Preferred product

Housing units RCJTZ, two-bolt flanged housing units, cast iron, centring spigot, eccentric locking collar, R seals

X-life

Technical information



Main Dimensions & Performance Data

d	30 mm	Bore diameter
L	83 mm	Flange width
H	142 mm	Height flange
U	47,2 mm	Total height unit
C _r	19.500 N	Basic dynamic load rating, radial
C _{0r}	11.300 N	Basic static load rating, radial
C _{ur}	590 N	Fatigue load limit, radial
	0,98 kg	Weight

Dimensions

A	26 mm	Height housing
A ₁	12 mm	Thickness of flange
A ₂	17 mm	Distance raceway
V	83 mm	Shoulder diameter housing
Q	M6	Connection thread lubrication
d ₃	44 mm	Outside diameter eccentric locking collar

Mounting dimensions

J	116,5 mm	Distance fixing bore
N	11.5 mm	Fixing bore
T ₁	3 mm	Height spigot
Z	80 mm	Diameter spigot
	h8	Diameter spigot clearance
n	2	Number of screwing holes

Additional information

	1	Number of housings
	CJTZ06	Housing
	GE30-XL-KRR-B	Bearing designation