



★ RCJTZ60-XL

Flanged housing unit

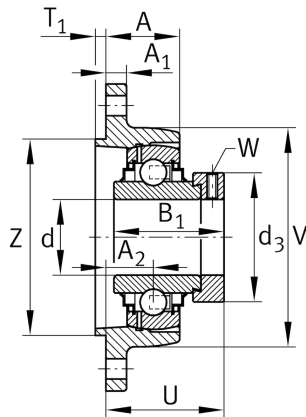
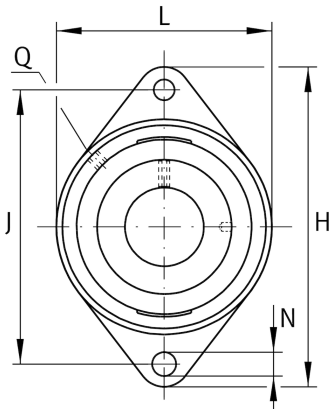
Schaeffler ID:
0008317350000

Housing units RCJTZ, two-bolt flanged housing units, cast iron, centring spigot, eccentric locking collar, R seals

★ Preferred product

X-life

Technical information



Main Dimensions & Performance Data

d	60 mm	Bore diameter
L	138 mm	Flange width
H	238 mm	Height flange
U	76,9 mm	Total height unit
C _r	56.000 N	Basic dynamic load rating, radial
C _{0r}	36.000 N	Basic static load rating, radial
C _{ur}	1.870 N	Fatigue load limit, radial
	3,9 kg	Weight

Dimensions

A	42 mm	Height housing
A ₁	16 mm	Thickness of flange
A ₂	30 mm	Distance raceway
V	138 mm	Shoulder diameter housing
Q	Rp1/8	Connection thread lubrication
d ₃	84 mm	Outside diameter eccentric locking collar

Mounting dimensions

J	202 mm	Distance fixing bore
N	18 mm	Fixing bore
T ₁	4 mm	Height spigot
Z	130 mm	Diameter spigot
	h8	Diameter spigot clearance
n	2	Number of screwing holes

Additional information

	1	Number of housings
	CJTZ12	Housing
	GE60-XL-KRR-B	Bearing designation