



## ★ PCF25-XL

Flanged housing unit

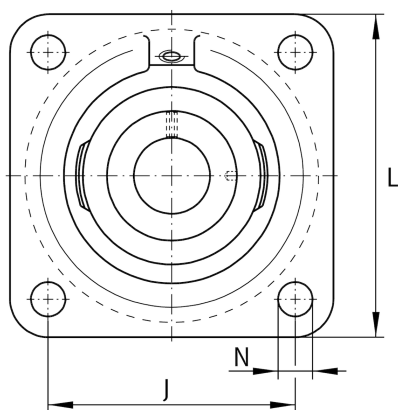
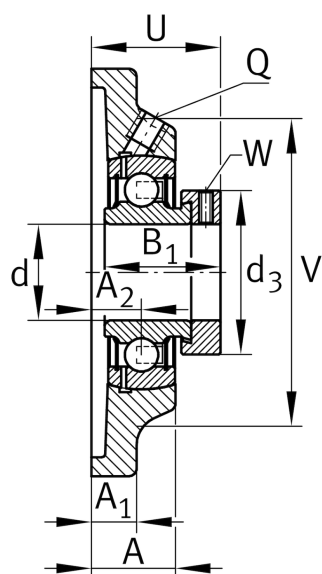
Schaeffler ID:  
0008318910000

★ Preferred product

Housing units PCF, four-bolt flanged housing units, cast iron, eccentric locking collar, P seals

X-life

### Technical information



### Main Dimensions & Performance Data

d	25 mm	Bore diameter
L	95 mm	Flange width
U	36 mm	Total height unit
$C_r$	14.900 N	Basic dynamic load rating, radial
$C_{0r}$	7.800 N	Basic static load rating, radial
$C_{ur}$	410 N	Fatigue load limit, radial
	0,69 kg	Weight

### Dimensions

A	22 mm	Height housing
$A_1$	11 mm	Thickness of flange
$A_2$	12,5 mm	Distance raceway
V	74 mm	Shoulder diameter housing
Q	M6	Connection thread lubrication
$d_3$	37,5 mm	Outside diameter eccentric locking collar

### Mounting dimensions

J	70 mm	Distance fixing bore
N	11.5 mm	Fixing bore
n	4	Number of screwing holes

### Additional information

	1	Number of housings
	CF05	Housing
	GRAE25-XL-NPP-B	Bearing designation