



★ RAY20-XL

Flanged housing unit

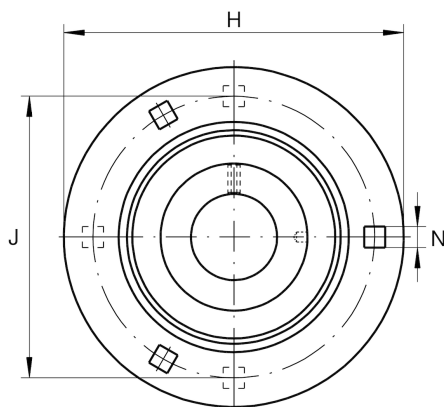
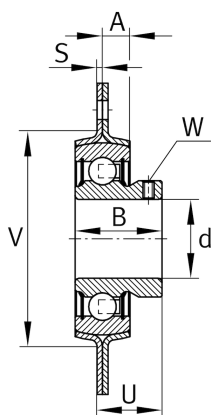
Schaeffler ID:
0008398090000

★ Preferred product

Housing units RAY, three/four-bolt flanged housing units, sheet steel, grub screws in inner ring, P seals

X-life

Technical information



Main Dimensions & Performance Data

| | | |
|-----------|----------|-----------------------------------|
| d | 20 mm | Bore diameter |
| H | 90,5 mm | Height flange |
| H | 90,5 mm | Flange width |
| U | 20 mm | Total height unit |
| C_r | 13.600 N | Basic dynamic load rating, radial |
| C_{0r} | 6.600 N | Basic static load rating, radial |
| C_{0rG} | 3.200 N | Load carrying capacity (housing) |
| | 0,29 kg | Weight |

Dimensions

| | | |
|---|-------|---------------------------|
| A | 8 mm | Height housing |
| B | 25 mm | Width |
| S | 2 mm | Thickness of flange |
| V | 55 mm | Shoulder diameter housing |

Mounting dimensions

| | | |
|---|---------|-------------------------------|
| J | 71,5 mm | Pitch circle diameter (holes) |
| N | 8,7 mm | Fixing square |
| n | 3 | Number of screwing holes |

Additional information

| | | |
|--|---------------|---------------------|
| | 2 | Number of housings |
| | FLAN47-MSB | Housing |
| | AY20-XL-NPP-B | Bearing designation |