



PHE30-XL

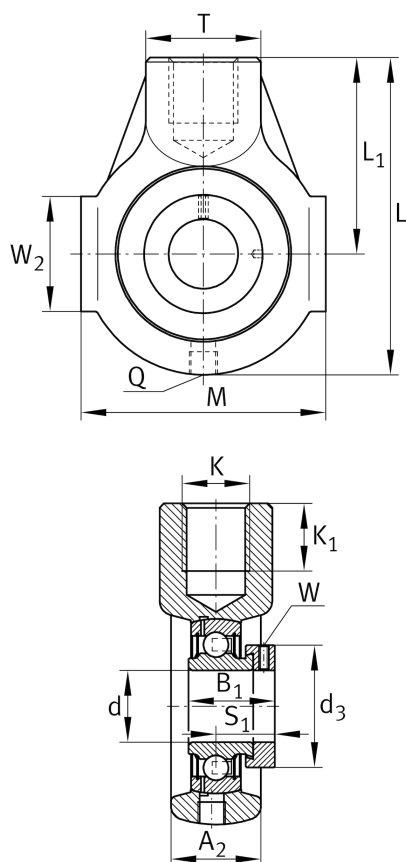
Take-up housing unit

Schaeffler ID:
0008408150000

Take-up housing units PHE, cast iron housing, radial insert ball bearing with eccentric locking collar, P seals

X-life

Technical information



Main Dimensions & Performance Data

d	30 mm	Bore diameter
L	114 mm	Length total
M	85 mm	Housing total width
A ₂	32 mm	Width housing
	1,12 kg	Weight

Dimensions

L ₁	72 mm	Distance shaft axis
T	40 mm	Height housing fixing side
W	40 mm	Length of guidance face
Q	Rp1/8	Connection thread lubrication

Mounting dimensions

K	M24	Thread fixing bore
K ₁	24 mm	Thread depth

Additional information

HE06	Housing
GRAE30-XL-NPP-B	Bearing designation