



## ★ RCSMF20-XL

Flanged housing unit

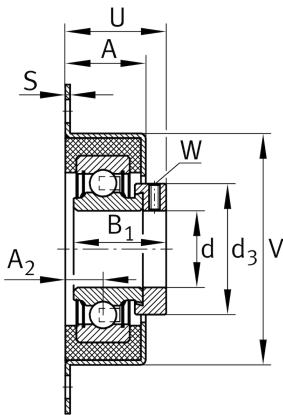
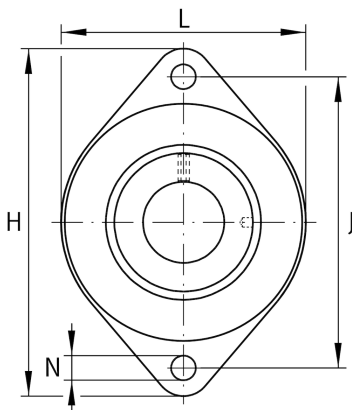
Schaeffler ID:  
0008440040000

★ Preferred product

Housing units RCSMF, two-bolt flanged housing units, sheet steel, rubber interliner, eccentric locking collar, P seals

X-life

### Technical information



### Main Dimensions & Performance Data

d	20 mm	Bore diameter
L	70 mm	Flange width
H	114 mm	Height flange
U	36,2 mm	Total height unit
$C_r$	12.800 N	Basic dynamic load rating, radial
$C_{0r}$	6.600 N	Basic static load rating, radial
$C_{ur}$	345 N	Fatigue load limit, radial
$C_{0rG}$	1.100 N	Load carrying capacity (housing)
$C_g$	1.100 N	Load carrying capacity (housing)
	0,32 kg	Weight

### Dimensions

A	27 mm	Height housing
$A_2$	12,7 mm	Distance raceway
S	1,5 mm	Thickness of flange
V	68 mm	Shoulder diameter housing

### Mounting dimensions

J	92 mm	Distance fixing bore
N	10.5 mm	Fixing bore
n	2	Number of screwing holes

### Additional information

	2	Number of housings
	FLAN65-RCSMF	Housing
	GRG.RCSM47/65	Rubber interliner designation
	RAE20-XL-NPP-	Bearing designation
	FA106	