

★ TASE40-XL-N

Plummer block housing unit

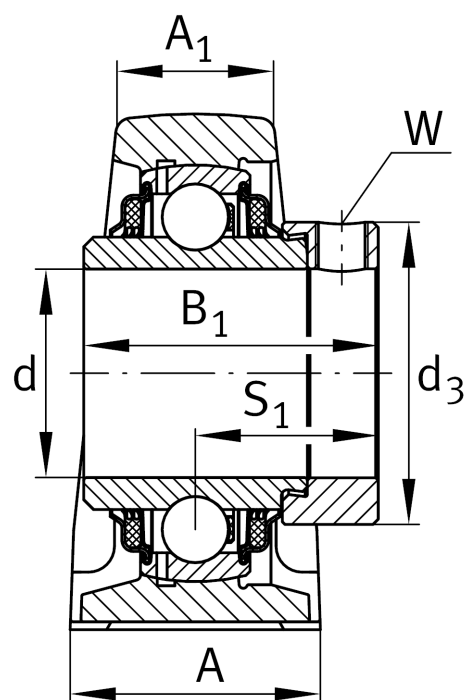
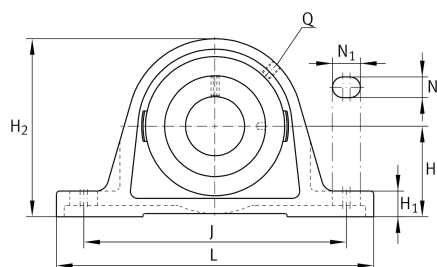
Schaeffler ID:
0008567970000

Plummer block housing units TASE, cast iron housing, radial insert ball bearing with eccentric locking collar, T seals

★ Preferred product

X-life

Technical information



Main Dimensions & Performance Data

d	40 mm	Bore diameter
L	179 mm	Length total
H ₂	99 mm	Height
	1,96 kg	Weight

Dimensions

H	49,2 mm	Distance shaft axis
A	48 mm	Width (base)
A ₁	30 mm	Width (head)
H ₁	19 mm	Height (base)
Q	Rp1/8	Connection thread lubrication

Mounting dimensions

J	138,25 mm	Distance fixing bore
N	14 mm	Width (slot)
N ₁	26 mm	Length (slot)

Additional information

ASE08	Housing
GE40-XL-KTT-B	Bearing designation
KASK08	Protecting cap