



## ★ THE40-XL

Take-up housing unit

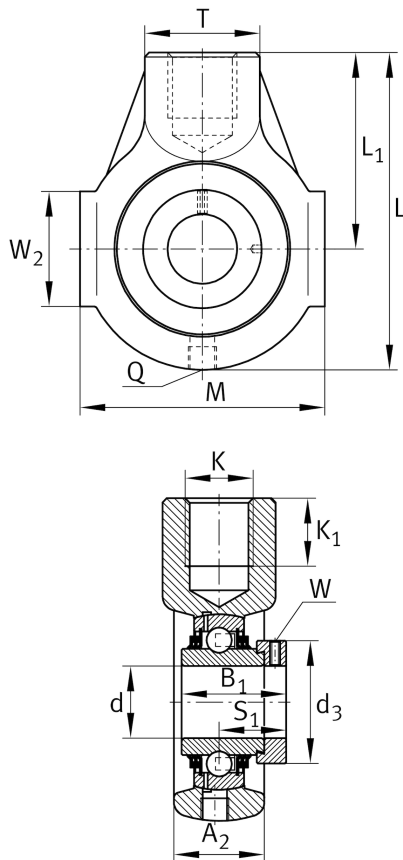
Schaeffler ID:  
0008570410000

★ Preferred product

Take-up housing units THE, cast iron housing, radial insert ball bearing with eccentric locking collar, T seals

X-life

### Technical information



### Main Dimensions & Performance Data

d	40 mm	Bore diameter
L	135 mm	Length total
M	100 mm	Housing total width
A <sub>2</sub>	36 mm	Width housing
	1,71 kg	Weight

### Dimensions

L <sub>1</sub>	85 mm	Distance shaft axis
T	40 mm	Height housing fixing side
W	45 mm	Length of guidance face
Q	M6	Connection thread lubrication

### Mounting dimensions

K	M24	Thread fixing bore
K <sub>1</sub>	24 mm	Thread depth

### Additional information

HE08	Housing
GE40-XL-KTT-B	Bearing designation