

TSHE40-XL-N

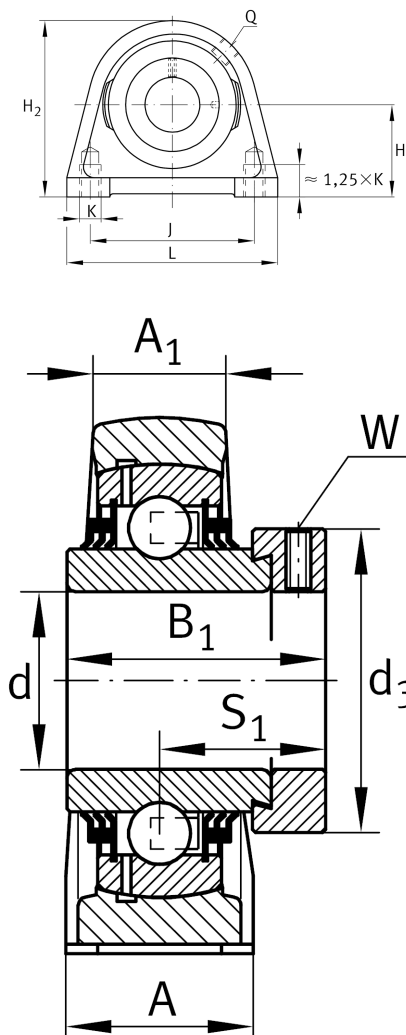
Plummer block housing unit

Schaeffler ID:
0008575050000

Plummer block housing units TSHE, cast iron housing, radial insert ball bearing with eccentric locking collar, T seals

X-life

Technical information



Main Dimensions & Performance Data

| | | |
|----------------|---------|---------------|
| d | 40 mm | Bore diameter |
| L | 116 mm | Length total |
| H ₂ | 99 mm | Height |
| | 1,66 kg | Weight |

Dimensions

| | | |
|----------------|---------|-------------------------------|
| H | 49,2 mm | Distance shaft axis |
| A | 48 mm | Width (base) |
| A ₁ | 30 mm | Width (head) |
| Q | Rp1/8 | Connection thread lubrication |

Mounting dimensions

| | | |
|---|---------|----------------------|
| J | 88,9 mm | Distance fixing bore |
| K | M12 | Thread fixing bore |

Additional information

| | |
|---------------|---------------------|
| SHE08 | Housing |
| GE40-XL-KTT-B | Bearing designation |
| KASK08 | Protecting cap |