



★ RASEY20-XL-N

Plummer block housing unit

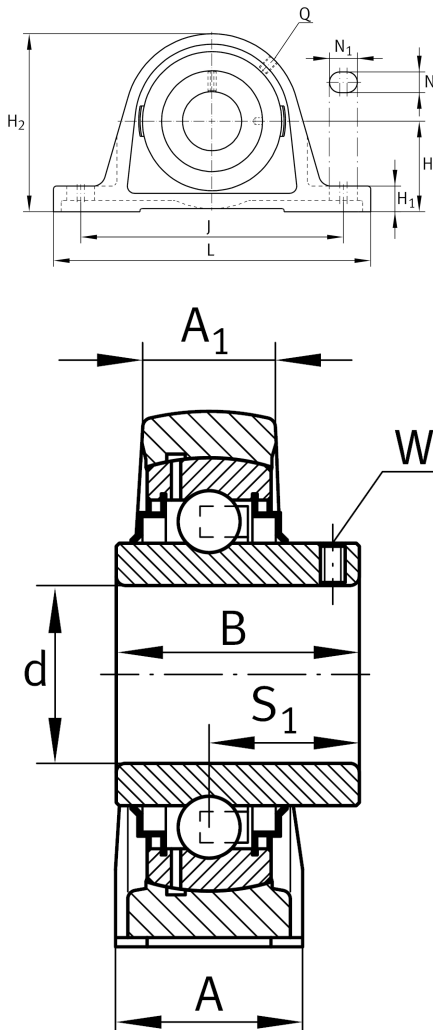
Schaeffler ID:
0008582850000

Plummer block housing units RASEY, cast iron housing, radial insert ball bearing with grub screws in inner ring, R seals

★ Preferred product

X-life

Technical information



Main Dimensions & Performance Data

d	20 mm	Bore diameter
L	130 mm	Length total
H ₂	64 mm	Height
	0,58 kg	Weight

Dimensions

H	33,3 mm	Distance shaft axis
A	32 mm	Width (base)
A ₁	19 mm	Width (head)
H ₁	14,5 mm	Height (base)
Q	Rp1/8	Connection thread lubrication

Mounting dimensions

J	97,5 mm	Distance fixing bore
N	11 mm	Width (slot)
N ₁	19 mm	Length (slot)

Additional information

ASE04	Housing
GYE20-XL-KRR-B	Bearing designation
KASK04	Protecting cap