



★ RCJY40-XL-N

Flanged housing unit

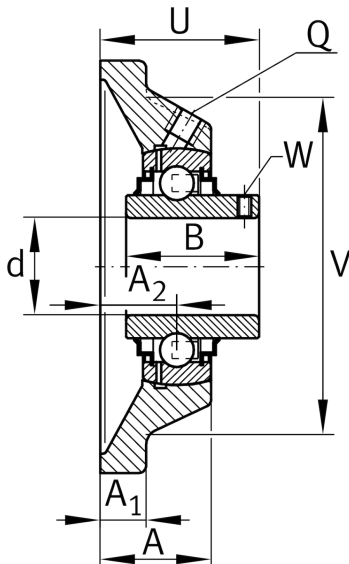
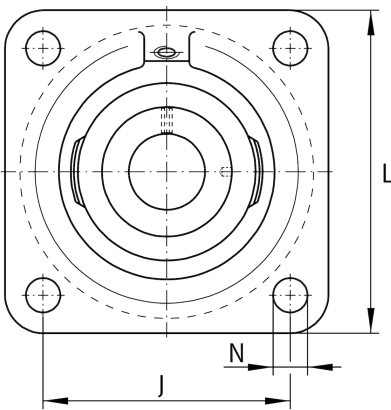
Schaeffler ID:
0008584200000

★ Preferred product

Housing units RCJY, four-bolt flanged housing units, cast iron, grub screws in inner ring, R seals

X-life

Technical information



Main Dimensions & Performance Data

d	40 mm	Bore diameter
L	130 mm	Flange width
U	54,2 mm	Total height unit
C_r	34.500 N	Basic dynamic load rating, radial
C_{0r}	19.800 N	Basic static load rating, radial
C_{ur}	840 N	Fatigue load limit, radial
	1,87 kg	Weight

Dimensions

A	36,5 mm	Height housing
A_1	13 mm	Thickness of flange
A_2	24 mm	Distance raceway
B	49,2 mm	Width
V	110 mm	Shoulder diameter housing
Q	M6	Connection thread lubrication

Mounting dimensions

J	101,5 mm	Distance fixing bore
N	14 mm	Fixing bore
n	4	Number of screwing holes

Additional information

1	Number of housings
CJ08	Housing
GYE40-XL-KRR-B	Bearing designation
KASK08	Protecting cap