



## ★ RCJTY20-XL-N

Flanged housing unit

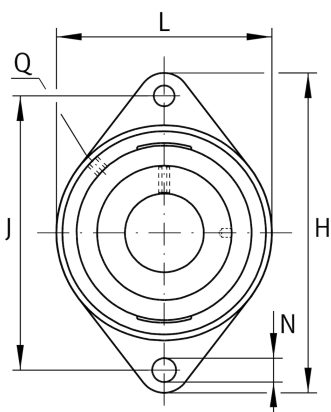
Schaeffler ID:  
0008585790000

Housing units RCJTY, two-bolt flanged housing units, cast iron, grub screws in inner ring, R seals

★ Preferred product

X-life

### Technical information



#### Main Dimensions & Performance Data

d	20 mm	Bore diameter
L	61 mm	Flange width
H	112 mm	Height flange
U	37,3 mm	Total height unit
C <sub>r</sub>	13.600 N	Basic dynamic load rating, radial
C <sub>0r</sub>	6.600 N	Basic static load rating, radial
C <sub>ur</sub>	345 N	Fatigue load limit, radial
	0,42 kg	Weight

#### Dimensions

A	28 mm	Height housing
A <sub>1</sub>	10 mm	Thickness of flange
A <sub>2</sub>	19 mm	Distance raceway
B	31 mm	Width
V	61 mm	Shoulder diameter housing
Q	M6	Connection thread lubrication

#### Mounting dimensions

J	90 mm	Distance fixing bore
N	11.5 mm	Fixing bore
n	2	Number of screwing holes

#### Additional information

	1	Number of housings
	CJT04	Housing
	GYE20-XL-KRR-B	Bearing designation
	KASK04	Protecting cap

