



## ★ RCJTY25-XL-N

Flanged housing unit

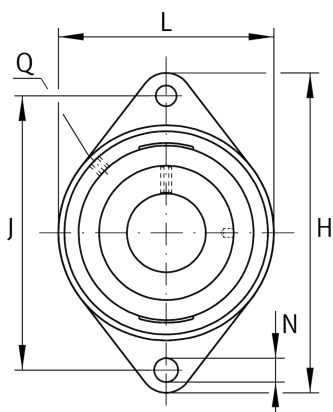
Schaeffler ID:  
0008585870000

Housing units RCJTY, two-bolt flanged housing units, cast iron, grub screws in inner ring, R seals

★ Preferred product

X-life

### Technical information



#### Main Dimensions & Performance Data

d	25 mm	Bore diameter
L	70 mm	Flange width
H	124 mm	Height flange
U	38,8 mm	Total height unit
C <sub>r</sub>	14.900 N	Basic dynamic load rating, radial
C <sub>0r</sub>	7.800 N	Basic static load rating, radial
C <sub>ur</sub>	410 N	Fatigue load limit, radial
	0,58 kg	Weight

#### Dimensions

A	26,5 mm	Height housing
A <sub>1</sub>	11 mm	Thickness of flange
A <sub>2</sub>	19 mm	Distance raceway
B	34,1 mm	Width
V	70 mm	Shoulder diameter housing
Q	M6	Connection thread lubrication

#### Mounting dimensions

J	99 mm	Distance fixing bore
N	11,5 mm	Fixing bore
n	2	Number of screwing holes

#### Additional information

	1	Number of housings
	CJT05	Housing
	GYE25-XL-KRR-B	Bearing designation
	KASK05	Protecting cap

