



## ★ PBY30-XL

Plummer block housing unit

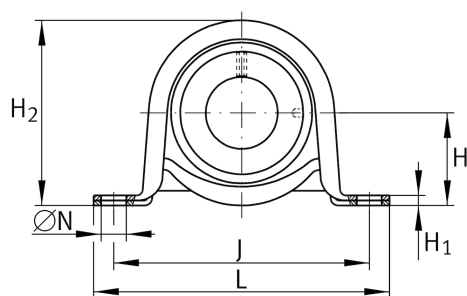
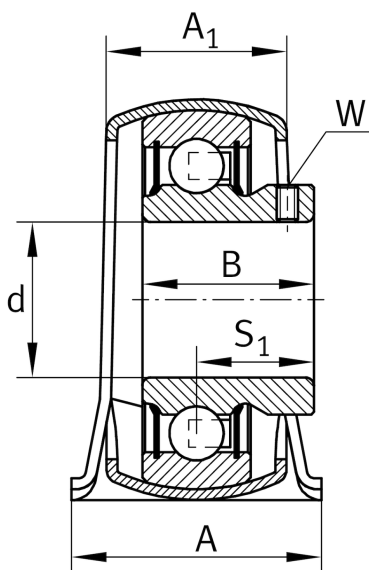
Schaeffler ID:  
0008604330000

Plummer block housing unit PBY..-XL,  
RIBB sheet metal PB

★ Preferred product

X-life

### Technical information



### Main Dimensions & Performance Data

d	30 mm	Bore diameter
L	117,5 mm	Length total
H <sub>2</sub>	66,1 mm	Height
C <sub>0rG</sub>	2.700 N	Load carrying capacity (housing)
C <sub>r</sub>	19.500 N	Basic dynamic load rating, radial
C <sub>0r</sub>	11.300 N	Basic static load rating, radial
n <sub>G Grease</sub>	13.800 1/min	Limiting speed for grease lubrication
	0,39 kg	Weight

### Dimensions

H	33,3 mm	Distance shaft axis
A	38 mm	Width (base)
A <sub>1</sub>	26,5 mm	Width (head)
H <sub>1</sub>	4 mm	Height (base)

### Mounting dimensions

J	95 mm	Distance fixing bore
N	11.5 mm	Fixing bore

### Additional information

f <sub>0</sub>	13,8	Calculation factor
	GEH62-BT	Housing
	AY30-XL-NPP-B	Bearing designation