



PTUE30-XL

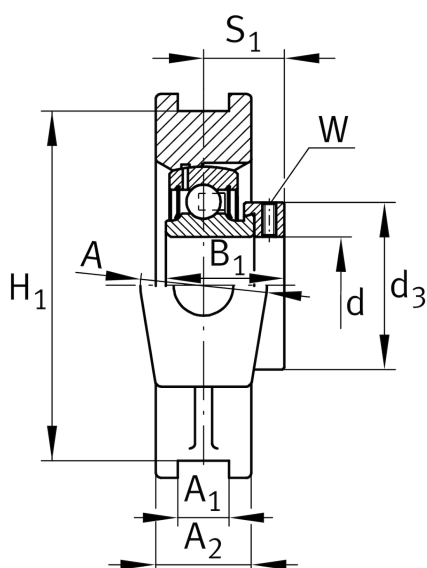
Take-up housing unit

Schaeffler ID:
0008619440000

Take-up housing units PTUE, cast iron housing, radial insert ball bearing with eccentric locking collar, P seals

X-life

Technical information



Main Dimensions & Performance Data

d	30 mm	Bore diameter
H	102 mm	Height
L	114,5 mm	Length total
	1,19 kg	Weight

Dimensions

L ₁	70 mm	Distance shaft axis
L ₂	10 mm	Length fixed link
L ₃	57 mm	Length guidance groove
A	37 mm	Width housing fixing side
N ₁	18 mm	Width recess
N ₂	36,5 mm	Height recess
T	56 mm	Height housing fixing side
Q	Rp1/8	Connection thread lubrication
A ₂	25 mm	Width housing

Mounting dimensions

A ₁	12 mm	Width guidance groove
	H13	Width guidance groove clearance
H ₁	89 mm	Distance guidance grooves
	0,15 mm	Upper distance guidance groove tolerance
	-0,15 mm	Lower distance guidance groove tolerance
N	22 mm	Fixing bore

Additional information

TUE06	Housing
GRAE30-XL-NPP-B	Bearing designation