



## ★ RATY25-XL

Flanged housing unit

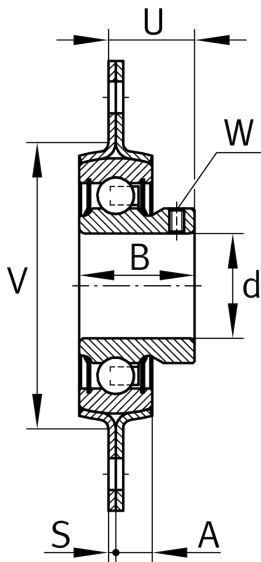
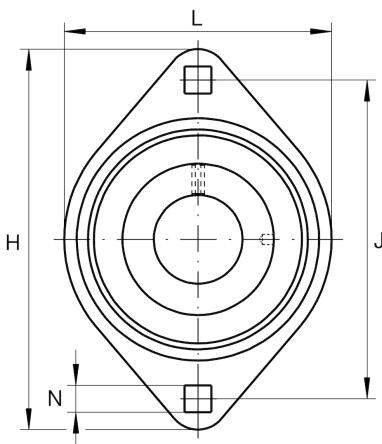
Schaeffler ID:  
0008640130000

Housing units RATY, two-bolt flanged housing units, sheet steel, grub screws in inner ring, P seals

★ Preferred product

X-life

### Technical information



### Main Dimensions & Performance Data

d	25 mm	Bore diameter
L	71 mm	Flange width
H	95,2 mm	Height flange
H	95,2 mm	Flange width
U	21,5 mm	Total height unit
C <sub>r</sub>	14.000 N	Basic dynamic load rating, radial
C <sub>0r</sub>	7.800 N	Basic static load rating, radial
C <sub>ur</sub>	335 N	Fatigue load limit, radial
C <sub>0rG</sub>	3.650 N	Load carrying capacity (housing)
C <sub>g</sub>	3.650 N	Load carrying capacity (housing)
	0,25 kg	Weight

### Dimensions

A	8,7 mm	Height housing
B	27 mm	Width
S <sub>1</sub>	2 mm	Thickness of flange
S	2 mm	Thickness of flange
V	60 mm	Shoulder diameter housing

### Mounting dimensions

J	76,2 mm	Distance fixing bore
N	8.7 mm	Fixing bore
N	8,7 mm	Fixing square
n	2	Number of screwing holes

### Additional information

	2	Number of housings
	FLAN52-MST	Housing
	AY25-XL-NPP-B	Bearing designation