



★ RCJTY40-XL-N

Flanged housing unit

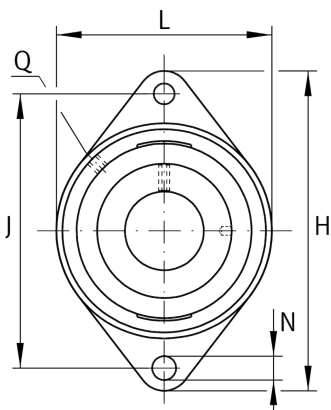
Schaeffler ID:
0008645440000

Housing units RCJTY, two-bolt flanged housing units, cast iron, grub screws in inner ring, R seals

★ Preferred product

X-life

Technical information



Main Dimensions & Performance Data

d	40 mm	Bore diameter
L	105 mm	Flange width
H	172 mm	Height flange
U	54,2 mm	Total height unit
C _r	34.500 N	Basic dynamic load rating, radial
C _{0r}	19.800 N	Basic static load rating, radial
C _{ur}	840 N	Fatigue load limit, radial
	1,57 kg	Weight

Dimensions

A	34,5 mm	Height housing
A ₁	13 mm	Thickness of flange
A ₂	24 mm	Distance raceway
B	49,2 mm	Width
V	105 mm	Shoulder diameter housing
Q	Rp1/8	Connection thread lubrication

Mounting dimensions

J	143,5 mm	Distance fixing bore
N	14 mm	Fixing bore
n	2	Number of screwing holes

Additional information

	1	Number of housings
	CJT08	Housing
	GYE40-XL-KRR-B	Bearing designation
	KASK08	Protecting cap

