



★ RCJY30-XL-N

Flanged housing unit

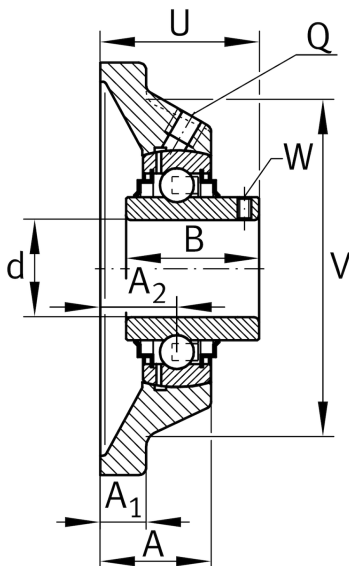
Schaeffler ID:
0008645520000

Housing units RCJY, four-bolt flanged housing units, cast iron, grub screws in inner ring, R seals

★ Preferred product

X-life

Technical information



Main Dimensions & Performance Data

| | | |
|-----------------|----------|-----------------------------------|
| d | 30 mm | Bore diameter |
| L | 108 mm | Flange width |
| U | 42,2 mm | Total height unit |
| C _r | 19.500 N | Basic dynamic load rating, radial |
| C _{0r} | 11.300 N | Basic static load rating, radial |
| C _{ur} | 480 N | Fatigue load limit, radial |
| | 1,1 kg | Weight |

Dimensions

| | | |
|----------------|---------|-------------------------------|
| A | 29 mm | Height housing |
| A ₁ | 12 mm | Thickness of flange |
| A ₂ | 20 mm | Distance raceway |
| B | 38,1 mm | Width |
| V | 85 mm | Shoulder diameter housing |
| Q | M6 | Connection thread lubrication |

Mounting dimensions

| | | |
|---|---------|--------------------------|
| J | 82,5 mm | Distance fixing bore |
| N | 11.5 mm | Fixing bore |
| n | 4 | Number of screwing holes |

Additional information

| | |
|----------------|---------------------|
| 1 | Number of housings |
| CJ06 | Housing |
| GYE30-XL-KRR-B | Bearing designation |
| KASK06 | Protecting cap |